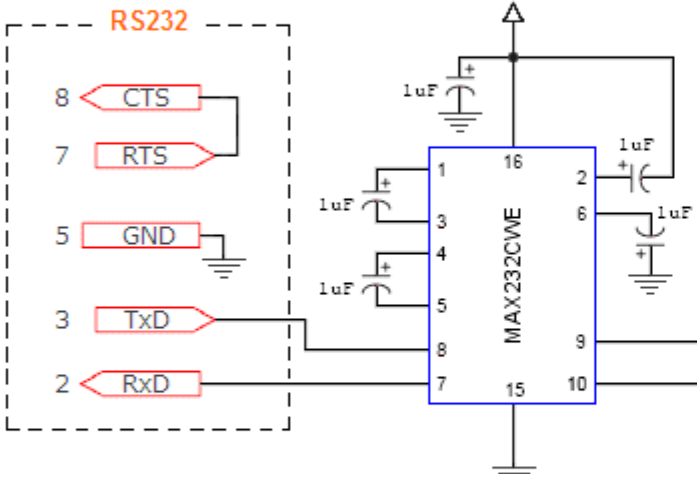
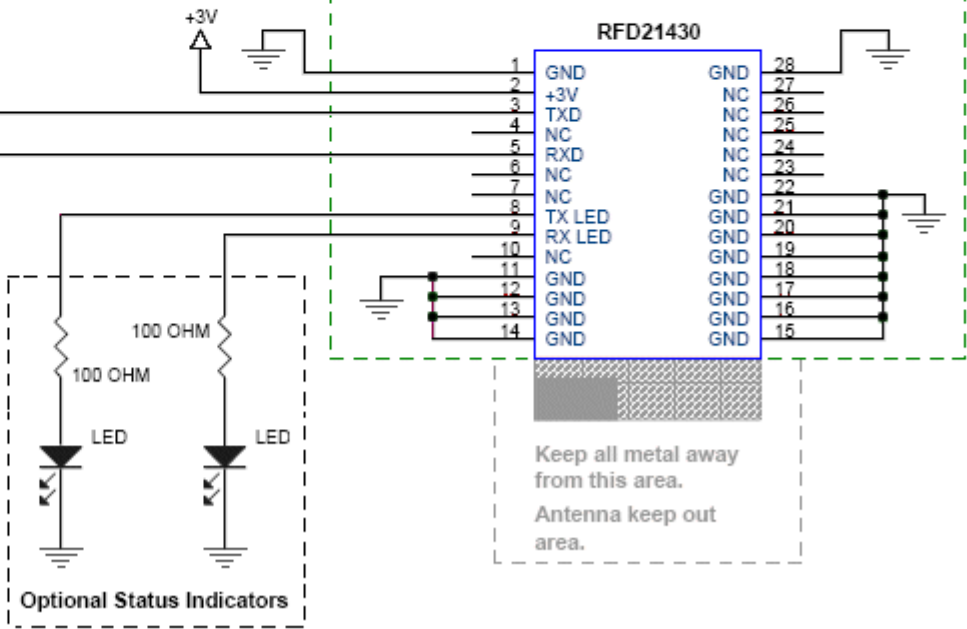


(9600 Baud, No Parity, 8 Data Bits, 1 Stop Bit)
9600, N, 8, 1

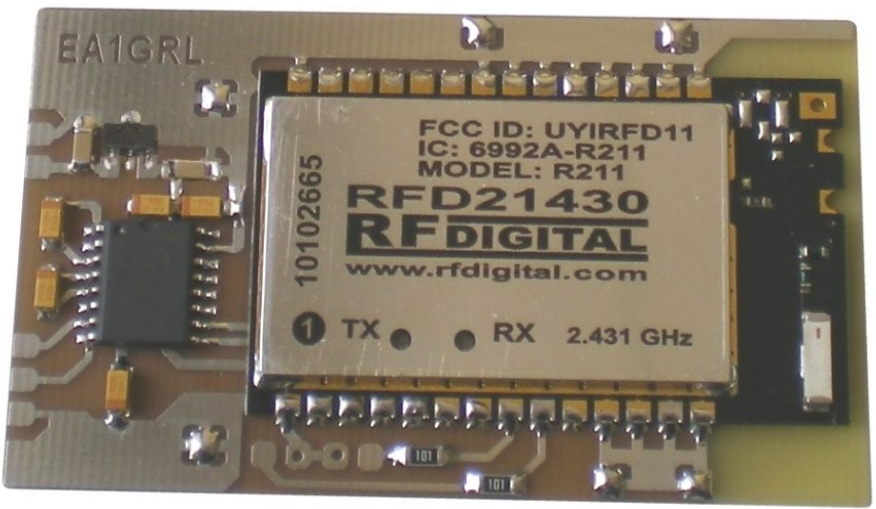


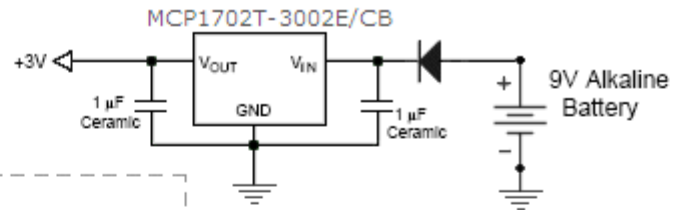
On the bottom layer of your PCB add as much ground in this area as possible. Do not add ground on top layer, where the module is mounted. Do not extend ground into keep out area for antenna marked below.

All "NC" pins must be open.
NC = Do Not Connect

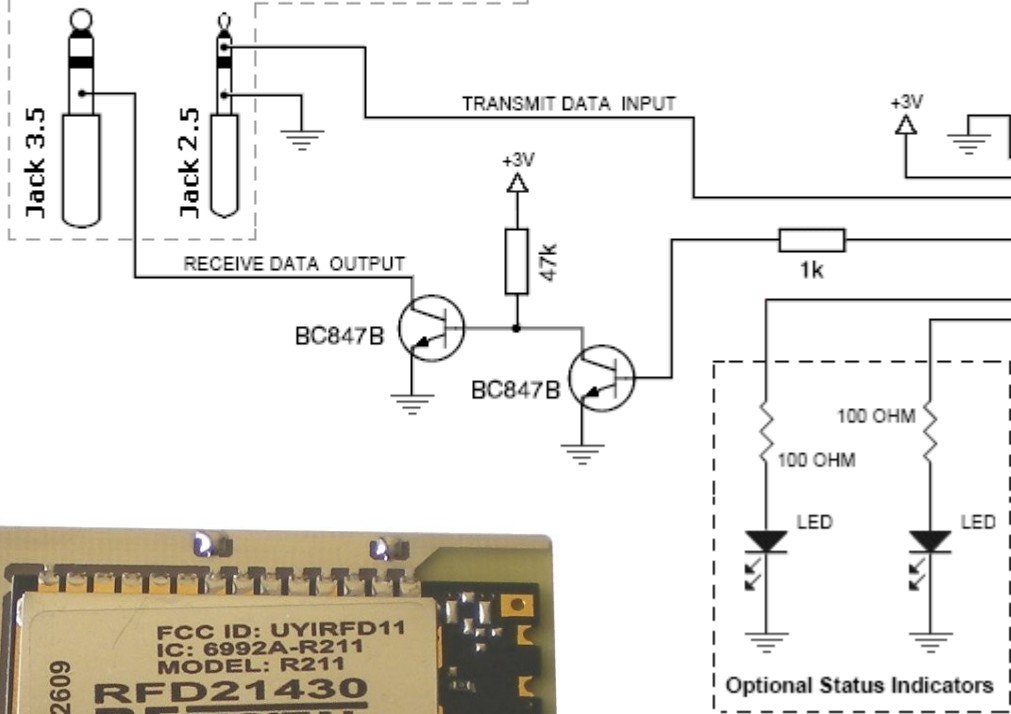


Keep all metal away from this area.
Antenna keep out area.



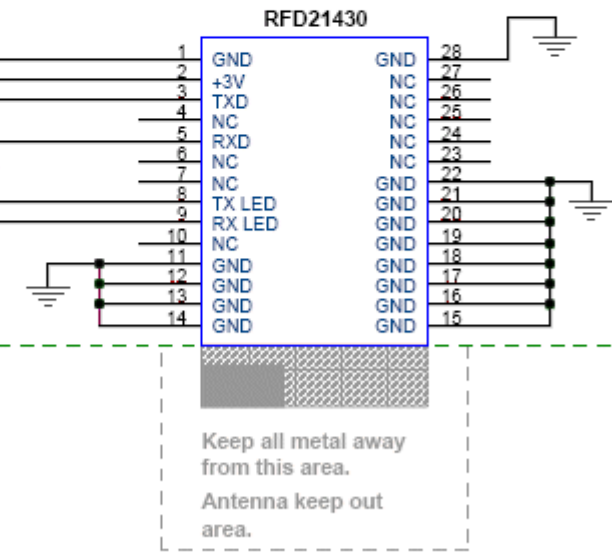


Connection for:
Kenwood handheld radios.
This connection is also for Midland CT-200

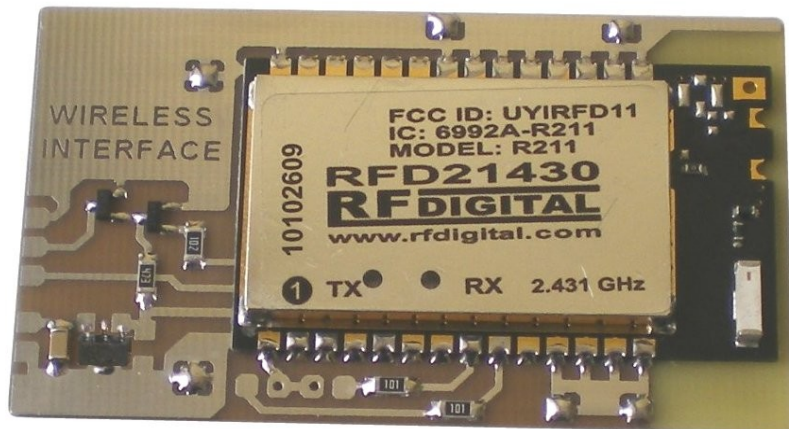


On the bottom layer of your PCB add as much ground in this area as possible.
Do not add ground on top layer, where the module is mounted. Do not extend ground into keep out area for antenna marked below.

All "NC" pins must be open.
NC = Do Not Connect



Keep all metal away from this area.
Antenna keep out area.



WIRELESS PROGRAMMING INTERFACE

Frequency: 2.4 GHz

EA1GRL

www.radioondas.com